



Cover 1:  
Pellier Navy

Cover 2:  
Denny Midnight

Dark wood feet

# Varley Collection

Colours represented are to be used as a guide only.  
Please refer to manufacturers swatch for a more accurate colour match.

Please note that colour shadings can vary slightly from each roll of fabric.  
We cannot guarantee a precise match to these samples or between cut lengths and upholstered goods.

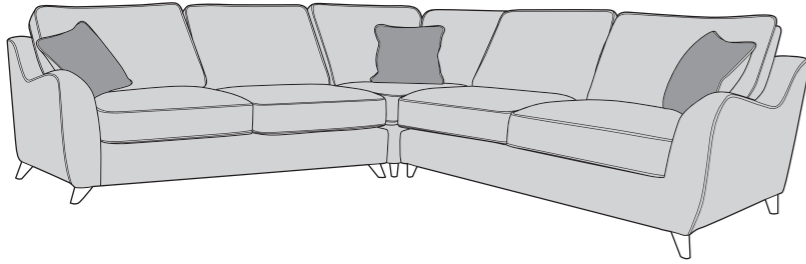
foamflex™  
Award Winning Seating Technology

05/05/2021

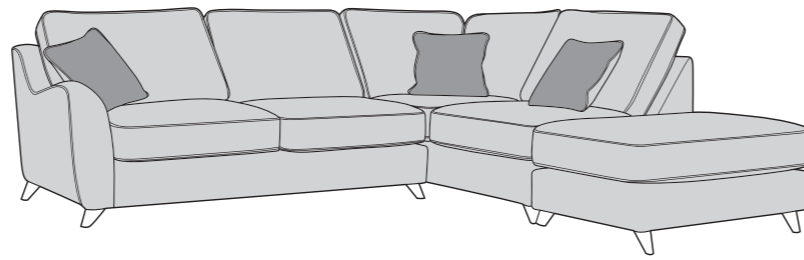
# VARLEY COVER GUIDE: STANDARD BACK ONLY

Please use this guide when ordering the following pieces to clarify cover options.

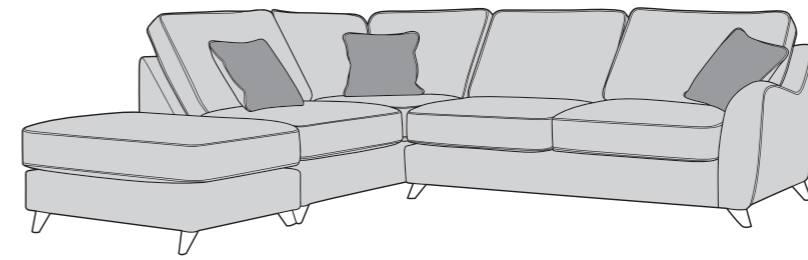
Corner Group: LH2, COR, RH2



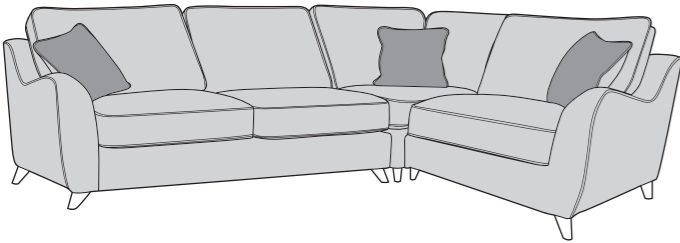
Corner Group: LH2, RFC, FST



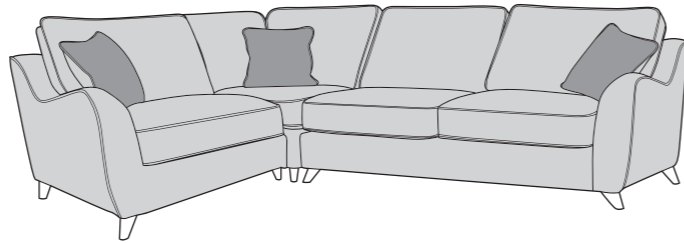
Corner Group: FST, LFC, RH2



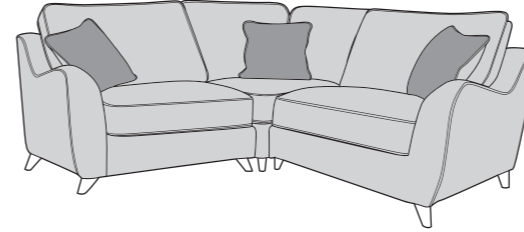
Corner Group: LH2, COR, RH1



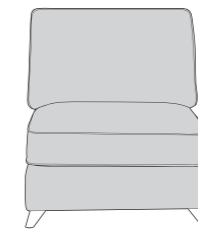
Corner Group: LH1, COR, RH2



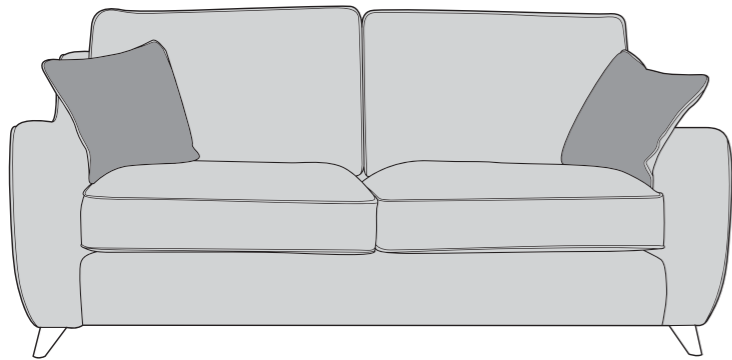
Corner Group: LH1, COR, RH1



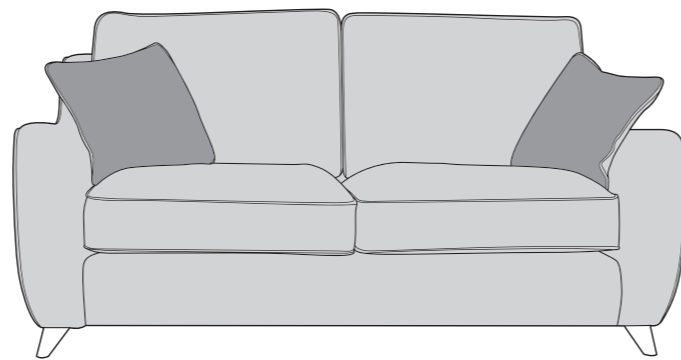
Armless Unit (ALU)



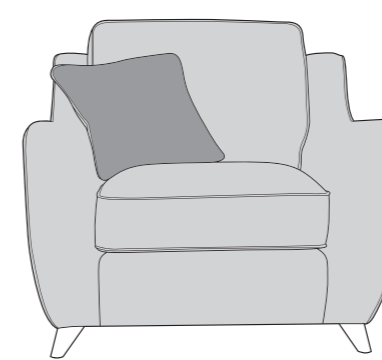
3 Seater Sofa (2ST)



2 Seater Sofa (2ST)



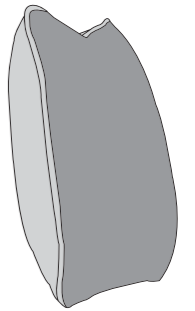
Arm Chair (1ST)



 **COVER 1**  
(BODY)

 **COVER 2**  
(SCATTER)

## Scatter Cushion

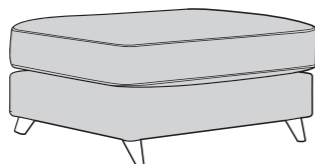
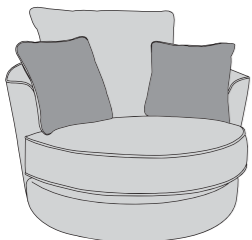


Front = Cover 2  
Back = Cover 1  
Piping = Cover 1

## SUGGESTED ACCENT PIECES

Affinity Swivel Chair (SWC)

Footstool P (FST)





# VARLEY DIMENSIONS (CM)

AVAILABLE PIECES	HEIGHT 1	OUTBACK HEIGHT	WIDTH 2	DEPTH 3	ARM HEIGHT	SEAT HEIGHT 4	SEAT DEPTH 5	SEAT WIDTH 6	ACCESS DIAGONAL 7	WEIGHT (KG)	SCATTER CUSHION NO.
LH2, COR, RH2 GROUP	89	74	282	282	63	47	N/A	N/A	N/A	134.5	3
LH2, RFC, FST or FST, LFC, RH2	89	74	282	255	63	47	N/A	N/A	N/A	114.5	3
LH2, COR, RH1 GROUP or LH1, COR, RH2 GROUP	89	74	282	203	63	47	N/A	N/A	N/A	129	3
LH1, COR, RH1 GROUP	89	74	203	203	63	47	N/A	N/A	N/A	94.5	3
LH2/RH2 UNIT	89	74	179	103	63	47	57	166	204	50	1
LH1/RH1 UNIT	89	74	100	103	63	47	57	86	114	35	1
LFC/RFC UNIT	89	74	185	103	63	47	57	139	208	48.5	2
COR - CORNER UNIT	89	74	103	103	63	47	57	57	146	34.5	1
ALU - ARMLESS UNIT	89	74	80	103	63	47	57	80	137	24.5	N/A
3 SEATER SOFA (3ST)	89	74	196	103	63	47	57	164	217	61	2
2 SEATER SOFA (2ST)	89	74	168	103	63	47	57	133	193	55.5	2
ARM CHAIR (1ST)	89	74	98	103	63	47	57	70	138	41	1
<b>ACCENT PIECES</b>											
AFFINITY SWIVEL CHAIR (SWC)	90	N/A	114	111	N/A	N/A	N/A	N/A	N/A	N/A	2
FOOTSTOOL P (FST)	N/A	N/A	70	103	N/A	N/A	N/A	N/A	121	16	N/A

\* Hardwood & composite board frame.

\* Fibre filled backs for added comfort.

\* Serpentine seat springs & silent wire.

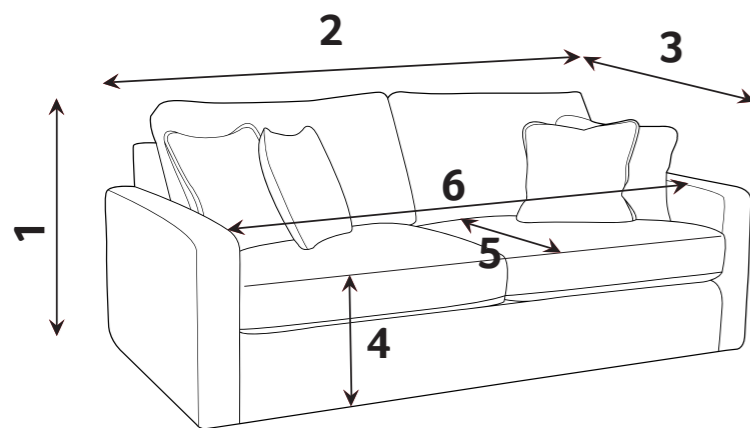
\* Dowelled, screwed, glued & stapled joinery.

\* Award winning foamflex seat interior with 5 year guarantee.

\* Superloop back springs.

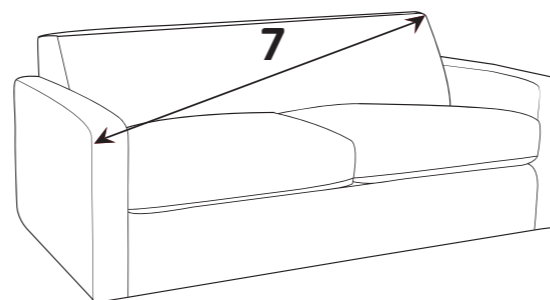
\* Light and Dark Wood foot options.

## DIMENSION GUIDE



1 - HEIGHT      3 - DEPTH      5 - SEAT DEPTH (STD & PILLOW)      7 - DIAGONAL ACCESS  
 2 - WIDTH      4 - SEAT HEIGHT      6 - SEAT WIDTH

Check the diagonal access dimension to ensure furniture will fit in your home.



Illustrations used for reference only.

## foamflex™

Our new expertly engineered foam seat interior gives you the comfort of fibre with the retention of foam.

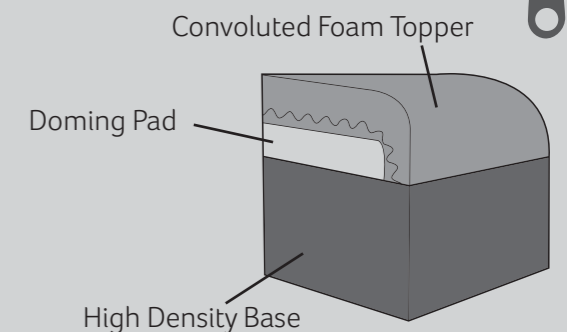
## CARE GUIDE

To improve the longevity of your hand-made furniture, we recommend rotating cushions (where applicable).

For further information on maintaining your furniture, please refer to the Care Guide located under the seat platform.



Our foamflex seat interiors have been granted the FIRA GOLD Award, a mark of quality under-pinning all necessary testing of the product materials, design and production techniques.



Dark (Antique)

Light (Beech)

## FOOT OPTIONS:



Please note : All dimension are approximate. Allow tolerance of +/- 2.5cm.

Wood is a natural product and will vary in shade/colour from item to item. Feet require fitting.



05/05/2021